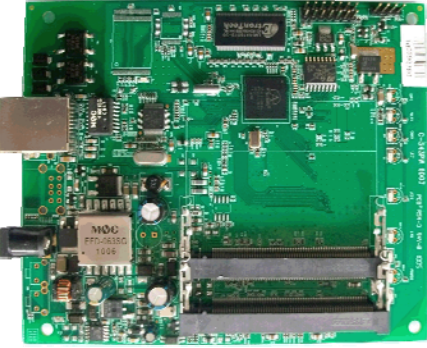




Wireless Access Point

WP543AHV Wireless Host Board



Features

- Up to 680MHz Network Processor Speed
- Supports two miniPCI slots
- Supports up to 2 USB 2.0 port (Optional) ^①
- Supports all CompeX MiniPCI Card Radio Modules
- MiniPCI Slot supports 3.3V and 5V DC
- Integrated IEEE 802.3af Power-over-Ethernet extractor
- Supports CompeX, OpenWRT firmware
- Real-time power Performance monitor with DS2438 (Optional) ^①
- Generic board, suitable for OEM applications



TECHNICAL SPECIFICATIONS

| HARDWARE INFORMATION | |
|---|---|
| Processor | Atheros AR7161 (680 MHz) Network Processor |
| General Usage | CPE |
| System Memory | 32MB or 64MB DDR SDRAM |
| NOR Flash | 4MB (up to 16MB) |
| MiniPCI Slot | 2 miniPCI slots ^② |
| Ethernet | 1 x 10/100 Base T Ethernet Port (with Auto MDI / MDIX) |
| Serial Port | 1 x 4 pin header(TTL) |
| JTAG Debug Interface | 14 pin header |
| USB Device Interface | 2 x USB 2.0 ports(Optional) |
| Push Button Reset | Yes |
| Surge Arrestor | Supported |
| Watch Dog Timer | Yes |
| PoE | Passive PoE(range 24V-48V DC),802.11af PoE(48V-56V) |
| Power over Datalines | Yes |
| DC Jack Input | Range 24V-48VDC ^③ |
| Power consumption (Host board only) | 4W |
| Certification | FCC, CE |
| ROHS Compliance | Yes |
| Humidity | 5% to 95% (non-condensing) |
| Temperature Range | Operating: -20°C to 70°C Storage: -40°C to 90°C |
| Dimension (in mm) | 129 x 109 x 18.5 (mm) |
| Weight | 160g |

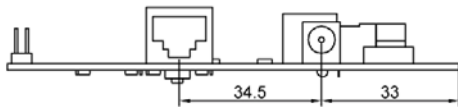
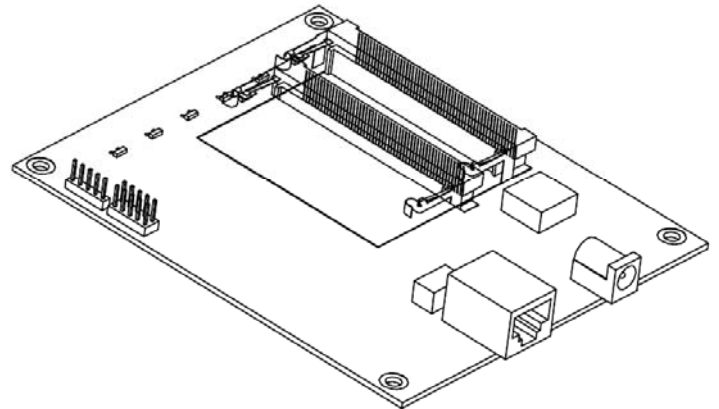
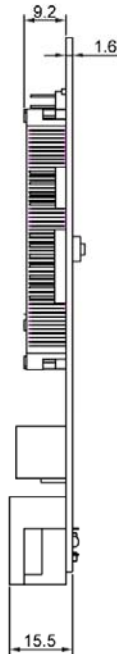
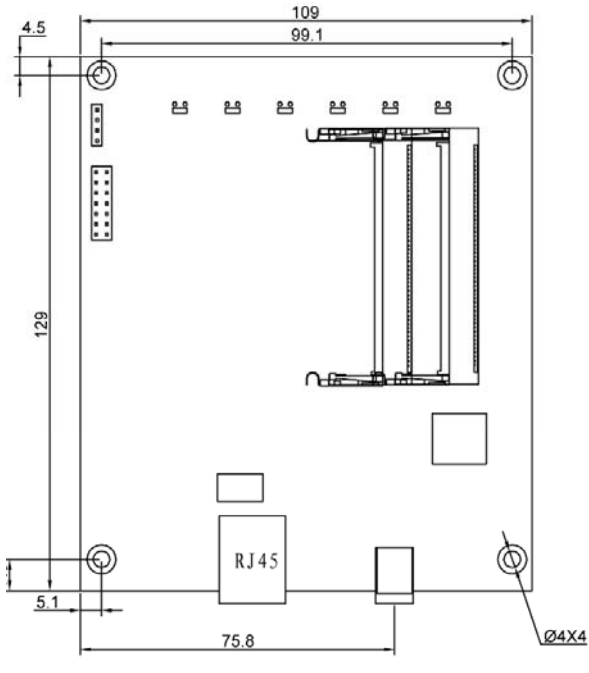
| SOFTWARE INFORMATION | |
|-------------------------|--|
| Firmware Support | Compex , OpenWRT |
| Development Kits | JTAG Programmer ^④ , Serial Converter ^⑤ , POE injector + Power Supply |

Order Information

| Mode Name | Version | Processor | NOR Flash | Memory | MiniPCI Socket Height |
|-----------------------|---------|----------------|-----------|--------|-----------------------|
| WP543AHV 6D03PC432-2S | Compex | Atheros AR7161 | 4MB | 32MB | 6.0mm&9.2mm |
| WP543AHV 6D03PO432-2S | OEM | Atheros AR7161 | 4MB | 32MB | 6.0mm&9.2mm |

- ① Depends on Order Configuration
- ② When install radio card in both slots, only card up to 200mW can be installed
- ③ Power consumption 24W for max power capacity, 15W to host board and adapters
- ④ JTAG kit allowed to write your own developed loader and firmware directly to on board flash
- ⑤ Serial Converter available to change the TTL signals on board to RS232 signals for debugging

DIMENSIONS DRAWING



Compex Systems Pte Ltd

135 Joo Seng Road, PM Industrial Building #08-01,
Singapore 368363
Tel: (65) 6286 2086
Fax: (65) 6280-9947
Email: sales@compex.com.sg

Compex (Suzhou) Co. Ltd

No. 12, ChuangTou Industrial Square, LouFeng North, Suzhou
Industrial Park, Suzhou, Jiangsu Province, China 21122
Tel: (86)-512-62950031
Fax: (86)-512-62950032



Copyright © 2010 Compex Systems. All rights reserved. COMPEX and the COMPEX logo, are registered trademarks of COMPEX Inc. While every effort is made to ensure the information is accurate, Compex does not accept liability for any errors or mistakes that may arise. All specification is subject to change without notice. Datasheet Version: V 1.2.01 GH 100408

For more information, visit www.compex.com.sg