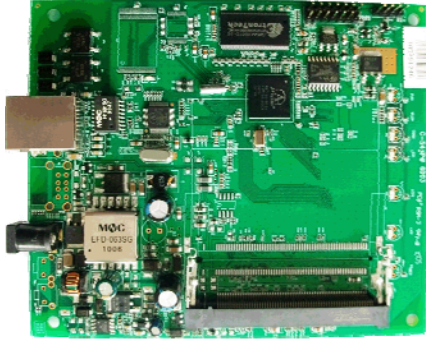


Wireless Access Point

# WP543HV Wireless Host Board



## Features

- Up to 300MHz Network Processor Speed
- Supports one miniPCI slot
- Supports up to 2 USB 2.0 port (Optional) <sup>①</sup>
- Supports all Compex MiniPCI Card Radio Modules
- MiniPCI Slot supports 3.3V and 5V DC
- Integrated IEEE 802.3af Power-over-Ethernet extractor
- Supports Compex, OpenWRT firmware
- Real-time power Performance monitor with DS2438 (Optional) <sup>①</sup>
- Generic board, suitable for OEM applications

## TECHNICAL SPECIFICATIONS

HARDWARE INFORMATION	
<b>Processor</b>	Atheros AR7130 ( 300 MHz) Network Processor
<b>General Usage</b>	CPE
<b>System Memory</b>	32MB or 64MB DDR SDRAM
<b>NOR Flash</b>	4MB ( up to 16MB )
<b>MiniPCI Slot</b>	1 x miniPCI slot
<b>Ethernet</b>	1 x 10/100 Base T Ethernet Port ( with Auto MDI / MDIX)
<b>Serial Port</b>	1 x 4 pin header(TTL)
<b>JTAG Debug Interface</b>	14 pin header
<b>USB Device Interface</b>	2 x USB 2.0 ports(Optional)
<b>Push Button Reset</b>	Yes
<b>Surge Arrestor</b>	Supported
<b>Watch Dog Timer</b>	Yes
<b>PoE</b>	Passive PoE(range 24V-48V DC),802.11af PoE(48V-56V)
<b>Power over Datalines</b>	Yes
<b>DC Jack Input</b>	Range 24V-48VDC <sup>②</sup>
<b>Power consumption ( Host board only)</b>	4W
<b>Certification</b>	FCC, CE
<b>ROHS Compliance</b>	Yes
<b>Humidity</b>	5% to 95% (non-condensing)
<b>Temperature Range</b>	Operating: -20°C to 70°C Storage: -40°C to 90°C
<b>Dimension ( in mm)</b>	129 x 109 x 18.5 (mm)
<b>Weight</b>	160g

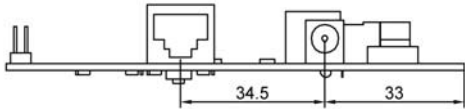
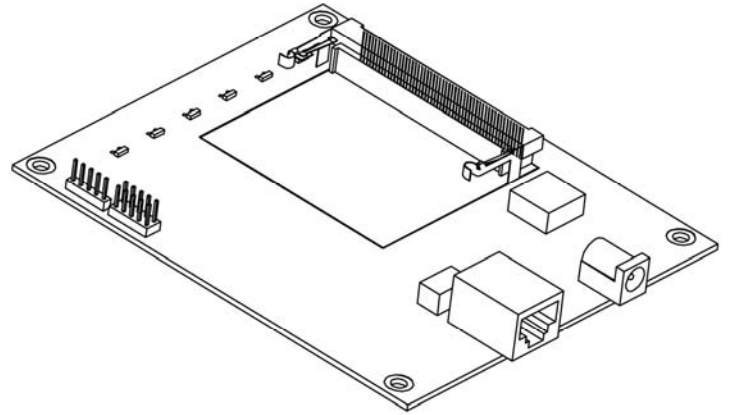
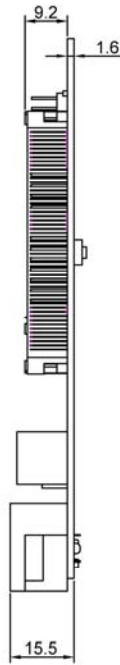
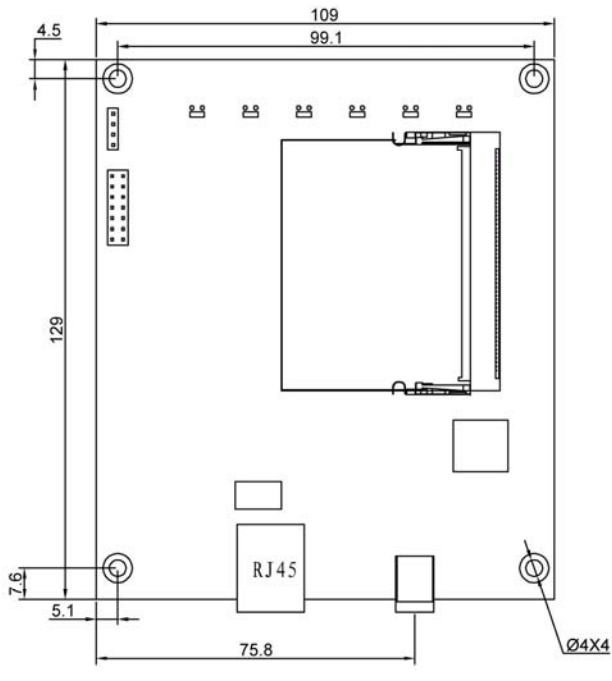
SOFTWARE INFORMATION	
<b>Firmware Support</b>	Compex , OpenWRT
<b>Development Kits</b>	JTAG Programmer <sup>③</sup> , Serial Converter <sup>④</sup> , POE injector + Power Supply

### Order Information

Mode Name	Version	Processor	NOR Flash	Memory	MiniPCI Socket Height
WP543HV 6D03PC432	Compex	Atheros AR7130	4MB	32MB	9.2mm
WP543HV 6D03PO432	OEM	Atheros AR7130	4MB	32MB	9.2mm

- ① Depends on Order Configuration
- ② Power consumption 24W for max power capacity, 15W to host board and adapters
- ③ JTAG kit allowed to write your own developed loader and firmware directly to on board flash
- ④ Serial Converter available to change the TTL signals on board to RS232 signals for debugging

## DIMENSIONS DRAWING



### Compex Systems Pte Ltd

135 Joo Seng Road, PM Industrial Building #08-01,  
Singapore 368363  
Tel: (65) 6286 2086  
Fax: (65) 6280-9947  
Email: sales@compex.com.sg

### Compex (Suzhou) Co. Ltd

No. 12, ChuangTou Industrial Square, LouFeng North, Suzhou  
Industrial Park, Suzhou, Jiangsu Province, China 21122  
Tel: (86)-512-62950031  
Fax: (86)-512-62950032



Copyright © 2010 Compex Systems. All rights reserved. COMPEX and the COMPEX logo, are registered trademarks of COMPEX Inc. While every effort is made to ensure the information is accurate, Compex does not accept liability for any errors or mistakes that may arise. All specification is subject to change without notice. Datasheet Version: V 1.2.02 GH 100409

For more information, visit [www.compex.com.sg](http://www.compex.com.sg)